



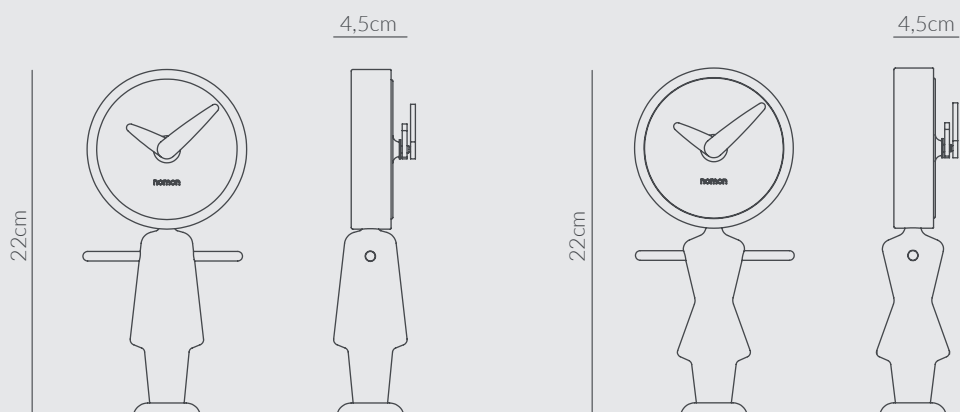
RELOJ NENE & NENA

Technical Information

nomon
JEWELRY FOR HOME

RELOJ NENE & NENA

Technical Information



MATERIALS

AGUJAS / HANDS

Nogal o roble natural / Solid walnut or oak wood

BRAZOS / ARMS

Latón pulido o acabado grafito / Polished brass or graphite finished

CAJA / BOX

Latón pulido o acabado grafito / Polished brass or graphite finished

MECANISMO / MECHANISM

UTS Alemán / UTS German

PACKAGING

Peso / weight: 0,35 Kg

Peso volumétrico / Volumetric weight: 0,60 Kg

