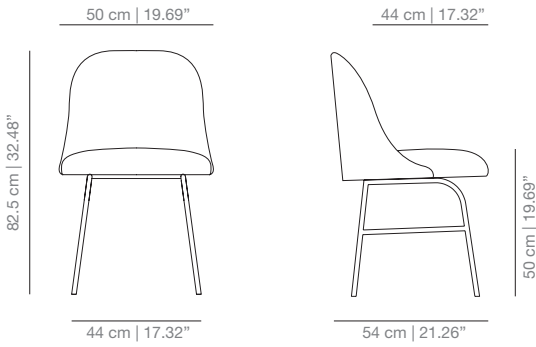
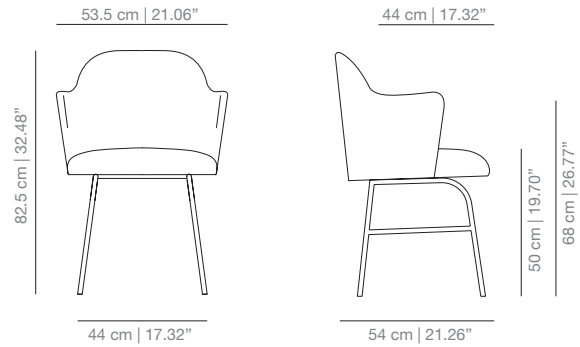


DIMENSIONS

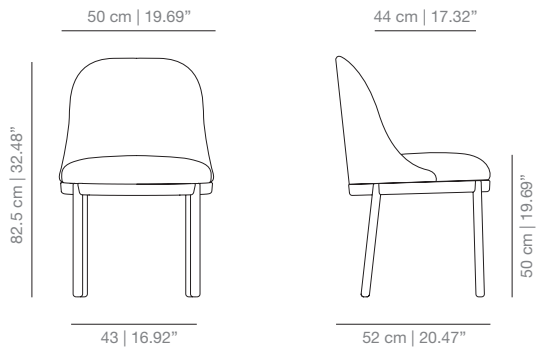
ALETA metal base chair



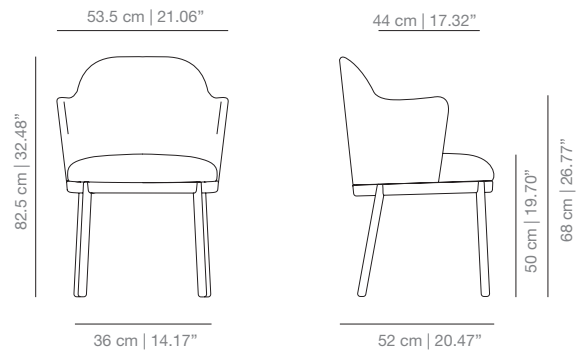
ALETA metal base chair with armrest



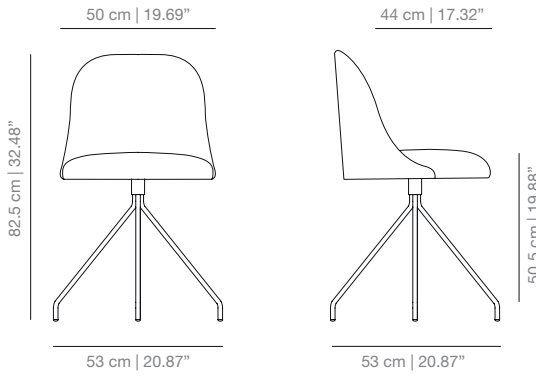
ALETA wooden base chair



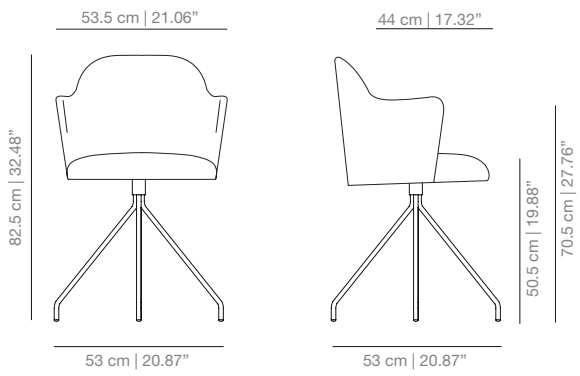
ALETA wooden base chair with armrest



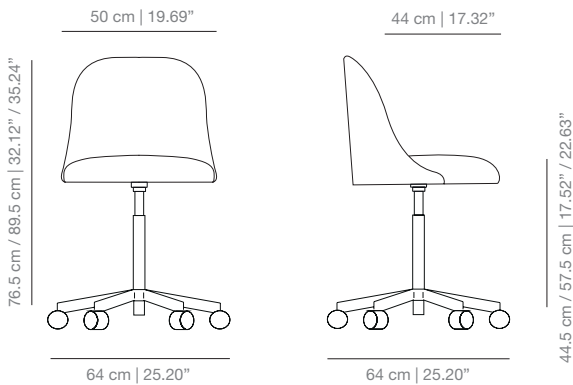
ALETA swivel base chair



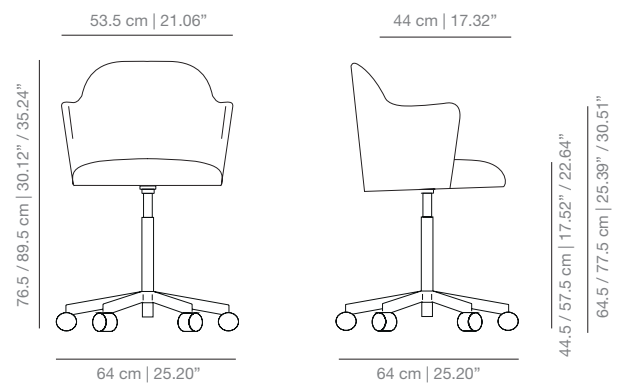
ALETA swivel base chair with armrest



ALETA caster base chair



ALETA caster base chair with armrest



## TECHNICAL INFO

Welded seat and backrest moulded in plywood coated with expanded polyuretane foam.

Base options:

**METAL BASE:** Calibrated steel structure powder coated in thermoreinforced polyester in white, black, sand or altea blue.

**WOODEN BASE:** Base in solid oak wood stained with the finishes of our collection.

**STOOL:** Calibrated steel structure powder coated in thermoreinforced polyester in white, black, sand or altea blue and footrest in stainless steel.

**CASTER BASE:** Aluminum swivel base powder coated in white or black (high gloss), height adjustment system and soft casters.

**SWIVEL BASE:** Calibrated steel swivel structure powder coated in thermoreinforced polyester in white, black, sand or altea blue.

**SWIVEL COUNTER STOOL:** Calibrated steel swivel structure powder coated in thermoreinforced polyester in white, black, sand or altea blue and footrest in stainless steel.

**SWIVEL BAR STOOL:** Calibrated steel swivel structure powder coated in thermoreinforced polyester in white, black, sand or altea blue and footrest in stainless steel.

## FINISHES

Upholstery

Check upholstery samples

## STRUCTURE



brass

*in metal base chair, bar stool and counter stool*

Powder coated



white  
RAL 9003



black  
RAL 9005



altea blue  
RAL 5000



sand  
NCS 3005Y50R

Stained (Oak)



matt  
oak



wenge



cognac



ash

## CERTIFICATES

ANSI BIFMA X5.4-2012  
(metal base chair, stool, high stool)